

SMD - Resistors

Product : Anti-Corrosive Thin Film Precision Chip Resistor-SMDR Series

Size : 0402/0603/0805/1206/2010/2512



official distributor of



SMD - Resistors

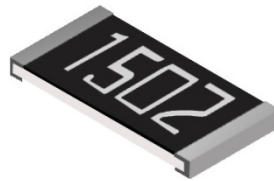
Anti-Corrosive Thin Film Precision Chip Resistor (SMDR Series)

► 1. Features

- Long term life stability and demonstrated the Anti-Corrosion claims characterized by Ta₂N
- Special passivated NiCr film for Anti-Acid and Anti-Damp
- Tight tolerance down to ±0.1%
- Extremely low TCR down to ±15 PPM/°C
- Wide resistance range 10ohm ~ 1Mega ohm

► 2. Applications

- Automotive
- High-end Computer
- Industrial Equipment
- Automatic Equipment Controller
- Medical Equipment
- Telecommunication Device
- High-end Multimedia Electronics
- Outdoor Electronic Applications



► 3. Construction

① Alumina Substrate	④ Edge Electrode (NiCr)	⑦ Resistor Layer (NiCr)
② Bottom Electrode (Ag)	⑤ Barrier Layer (Ni)	⑧ Passivation
③ Top Electrode (Ag-Pd)	⑥ External Electrode (Sn)	⑨ Overcoat

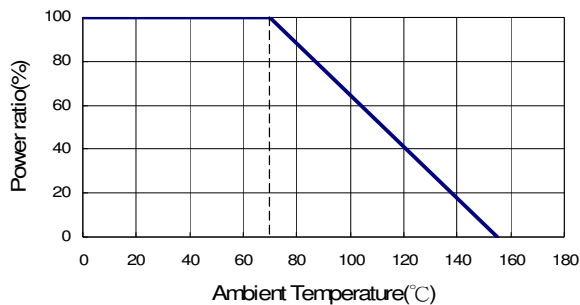
SMD - Resistors

► 4. Dimensions

Unit :mm

Type	Size (Inch)	L	W	T	D1	D2	Weight (g) (1000pcs)
SMDR 0402	0402	1.00±0.05	0.50±0.05	0.30±0.05	0.20±0.10	0.20±0.10	0.55
SMDR 0603	0603	1.55±0.10	0.80±0.10	0.45±0.10	0.30±0.20	0.30±0.20	1.85
SMDR 0805	0805	2.00±0.15	1.25±0.15	0.55±0.10	0.30±0.20	0.40±0.25	4.76
SMDR 1206	1206	3.05±0.15	1.55±0.15	0.55±0.10	0.42±0.20	0.35±0.25	9.11
SMDR 2010	2010	4.90±0.15	2.40±0.15	0.55±0.10	0.60±0.30	0.50±0.25	23.82
SMDR 2512	2512	6.30±0.15	3.10±0.15	0.55±0.10	0.60±0.30	0.50±0.25	38.46

► 5. Derating Curve



► 6. Part Numbering

SMDR	0603	D	T	D	1000	N
Product Type	Dimensions (L×W)	Resistance Tolerance	Packaging Code	TCR (PPM/°C)	Resistance	Marking Code
	0402 0603 0805 1206 2010 2512	B: ±0.1% C: ±0.25% D: ±0.5%	T: Taping Reel B: Bulk	N: ±15 C: ±25 D: ±50	1000: 100Ω 2201: 2200Ω 1001: 1KΩ 1004: 1MΩ	: Standard Marking for E96 / E24 N: No Marking

SMD - Resistors

7. Standard Electrical Specifications

Item Type	Power Rating at 70°C	Operating Temp. Range	Max. Operating Voltage	Max. Overload Voltage	Resistance Range			TCR (PPM/°C)
					±0.1%	±0.25%	±0.5%	
SMDR 0402	1/16W	-55 ~ +155°C	25V	50V	49.9Ω - 12KΩ			±15
					25Ω - 25KΩ			±25 ±50
SMDR 0603	1/16W	-55 ~ +155°C	50V	100V	25Ω - 100KΩ			±15
					25Ω - 332KΩ			±25 ±50
SMDR 0805	1/10W	-55 ~ +155°C	100V	200V	25Ω - 200KΩ			±15
					10Ω - 800KΩ			±25 ±50
SMDR 1206	1/8W	-55 ~ +155°C	150V	300V	25Ω - 500KΩ			±15
					10Ω - 1MΩ			±25 ±50
SMDR 2010	1/4W	-55 ~ +155°C	150V	300V	25Ω - 500KΩ			±15
					10Ω - 1MΩ			±25 ±50
SMDR 2512	1/2W	-55 ~ +155°C	150V	300V	25Ω - 500KΩ			±15
					10Ω - 1MΩ			±25 ±50

Operating Voltage= $\sqrt{P \cdot R}$ or Max. operating voltage listed above, whichever is lower.

Overload Voltage= $2.5 \cdot \sqrt{P \cdot R}$ or Max. overload voltage listed above, whichever is lower.

8. Environmental Characteristics

Item	Requirement		Test Method
	Size 0603 / 0805 / 1206 2010 / 2512	Size 0402	
Short Time Overload	≤ ±0.02%	≤ ±0.1%	JIS-C-5201-1 5.5 RCWV*2.5 or Max. overload voltage for 2 seconds
Endurance	≤ ±0.05%	≤ ±0.25%	MIL-STD-202F Method 108A 70±2°C, Max. working voltage for 1000 hrs with 1.5 hrs "ON" and 0.5 hrs "OFF"
Damp Heat with Load	≤ ±0.05%	≤ ±0.5%	MIL-STD-202F Method 103B 40±2°C, 90~95% R.H. Max. working voltage for 1000 hrs with 1.5 hrs "ON" and 0.5 hrs "OFF"
Solderability	95% min. coverage		MIL-STD-202F Method 208H 245±5°C for 3 seconds
Resistance to Soldering Heat	≤ ±0.02%	≤ ±0.1%	MIL-STD-202F Method 210E 260±5°C for 10 seconds
Thermal Shock	≤ ±0.02%	≤ ±0.1%	MIL-STD-202F Method 107G -55°C ~150°C, 100 cycles

■ Storage Temperature: 25±3°C; Humidity < 80%RH

SMD - Resistors

9. Marking

0603 3digit marking



3digit marking for Example: 14C=13K7Ω 13C=13K3Ω

68B=4K99Ω 68X=49.9Ω

Marking Table

Code	E96	Code	E96	Code	E96	Code	E96				
01	100	25	178	49	316	73	562				
02	102	26	182	50	324	74	576				
03	105	27	187	51	332	75	590				
04	107	28	191	52	340	76	604				
05	110	29	196	53	348	77	619				
06	113	30	200	54	357	78	634				
07	115	31	205	55	365	79	649				
08	118	32	210	56	374	80	665				
09	121	33	215	57	383	81	681				
10	124	34	221	58	392	82	698				
11	127	35	226	59	402	83	715				
12	130	36	232	60	412	84	732				
13	133	37	237	61	422	85	750				
14	137	38	243	62	432	86	768				
15	140	39	249	63	442	87	787				
16	143	40	255	64	453	88	806				
17	147	41	261	65	464	89	825				
18	150	42	267	66	475	90	845				
19	154	43	274	67	487	91	866				
20	158	44	280	68	499	92	887				
21	162	45	287	69	511	93	909				
22	165	46	294	70	523	94	931				
23	169	47	301	71	536	95	953				
24	174	48	309	72	549	96	976				
Code	A	B	C	D	E	F	G	H	X	Y	Z
Multiplier	10 ⁰	10 ¹	10 ²	10 ³	10 ⁴	10 ⁵	10 ⁶	10 ⁷	10 ⁻¹	10 ⁻²	10 ⁻³

0603 3digit marking for E24

Example: 101=100Ω 102=1KΩ

E24	10	11	12	13	15	16	18	20	22	24	27	30	33	36	39	43	47	51	56	62	68	75	82	91
-----	----	----	----	----	----	----	----	----	----	----	----	----	----	----	----	----	----	----	----	----	----	----	----	----

0805~2512 4digit marking

Example

Resistance	100Ω	2.2KΩ	10KΩ	49.9KΩ	100KΩ
marking	1000	2201	1002	4992	1003

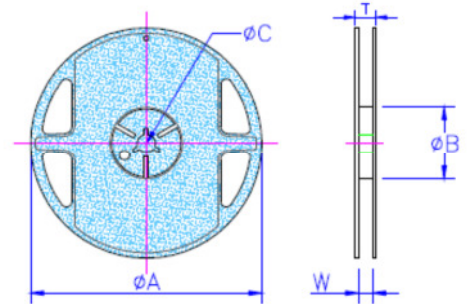
SMD - Resistors

10. Packaging

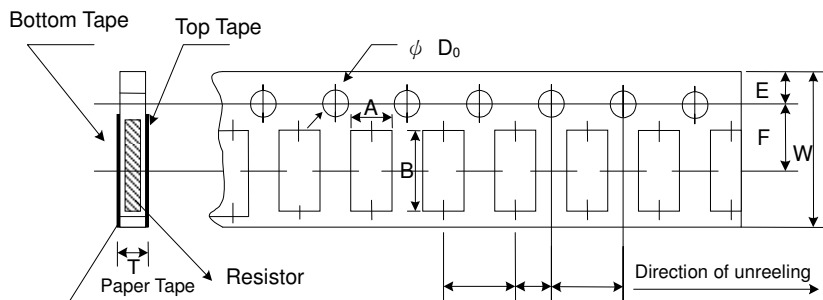
Package Quantity & Reel Specifications

Unit :mm

Type	ΦA	ΦB	ΦC	W	T	Paper Tape (EA)	Emboss Plastic Tape (EA)
SMDR0402	178.0±1.0	60.0+1.0	13.5±0.7	9.5±1.0	11.5±1.0	10,000	-
SMDR0603	178.0±1.0	60.0+1.0	13.5±0.7	9.5±1.0	11.5±1.0	5,000	-
SMDR0805	178.0±1.0	60.0+1.0	13.5±0.7	9.5±1.0	11.5±1.0	5,000	-
SMDR1206	178.0±1.0	60.0+1.0	13.5±0.7	9.5±1.0	11.5±1.0	5,000	-
SMDR2010	178.0±1.0	60.0+1.0	13.5±0.7	13.5±1.0	15.5±1.0	-	4,000
SMDR2512	178.0±1.0	60.0+1.0	13.5±0.7	13.5±1.0	15.5±1.0	-	4,000



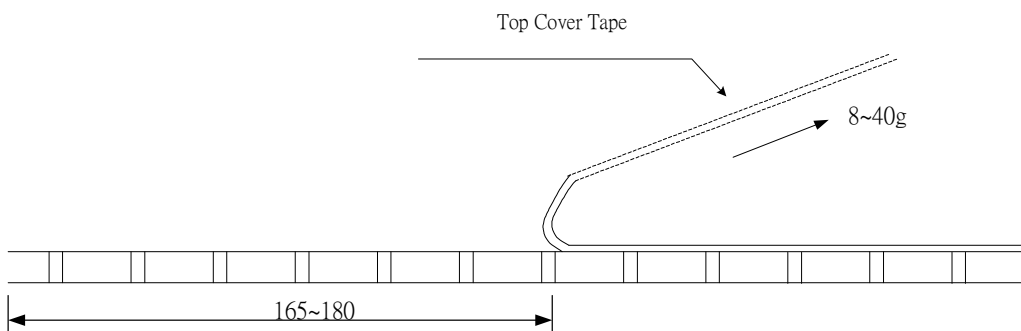
Paper Tape Specifications



Unit: mm

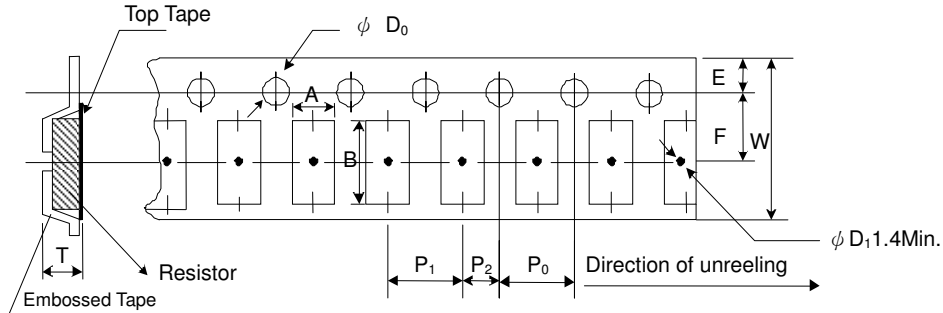
Type	A	B	W	E	F	P0	P1	P2	ΦD0	T
SMDR0402	0.70±0.05	1.16±0.05	8.00±0.10	1.75±0.05	3.5±0.05	4.00±0.10	2.00±0.05	2.00±0.05	1.55±0.05	0.40±0.03
SMDR0603	1.10±0.05	1.90±0.05	8.00±0.10	1.75±0.05	3.5±0.05	4.00±0.10	4.00±0.10	2.00±0.05	1.55±0.05	0.60±0.03
SMDR0805	1.60±0.05	2.37±0.05	8.00±0.10	1.75±0.05	3.5±0.05	4.00±0.10	4.00±0.10	2.00±0.05	1.55±0.05	0.75±0.05
SMDR1206	2.00±0.05	3.55±0.05	8.00±0.10	1.75±0.05	3.5±0.05	4.00±0.10	4.00±0.10	2.00±0.05	1.55±0.05	0.75±0.05

- Peel force of top cover tape
- The peel speed shall be about 300mm/min±5%
- The peel force of top cover tape shall be between 8g to 40g



SMD - Resistors

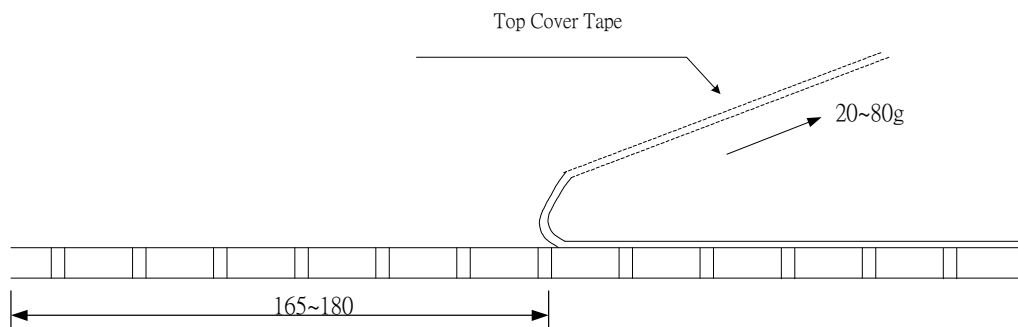
Emboss Plastic Tape Specifications



Unit: mm

Type	A	B	W	E	F	P ₀	P ₁	P ₂	ψD_0	T
SMDR2010	2.85±0.10	5.45±0.10	12.0±0.10	1.75±0.10	5.5±0.05	4.00±0.05	4.00±0.10	2.00±0.05	1.50±0.10	1.00±0.20
SMDR2512	3.40±0.10	6.65±0.10	12.0±0.10	1.75±0.10	5.5±0.05	4.00±0.05	4.00±0.10	2.00±0.05	1.50±0.10	1.00±0.20

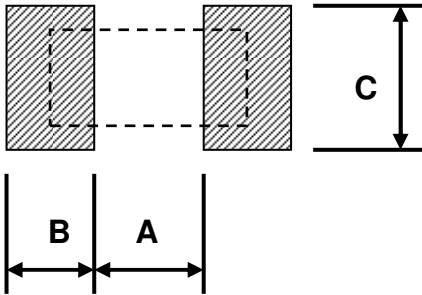
- Peel force of top cover tape
- The peel speed shall be about 300mm/min±5%
- The peel force of top cover tape shall be between 20g to 80g



SMD - Resistors

► 11. Recommended Land Pattern

Unit : mm



Type	A	B	C
SMDR0402	0.50	0.50	0.60±0.2
SMDR0603	0.80	1.00	0.90±0.2
SMDR0805	1.00	1.00	1.35±0.2
SMDR1206	2.00	1.15	1.70±0.2
SMDR2010	3.60	1.40	2.50±0.2
SMDR2512	4.90	1.60	3.10±0.2

► 9. Reflow

