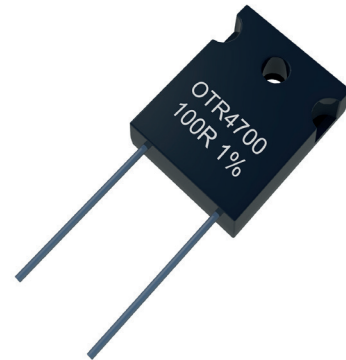


OTR - Series, OTR4700

Power - Thick Film Resistors

FEATURES

- Resistance from 0,02Ω
- Temperature Coefficients $\pm 100\text{ppm}/^\circ\text{C}$
- Resistance Tolerances $\pm 1\%$
- Power up to 140Watts (cooled)
- TO - 247 Style
- Low Inductance
- RoHS - compliant



RATED VALUES (IEC 60115-1)

Resistance Range	Ω	0,02Ω to 510kΩ	
Resistance Tolerance	%	1%; 5%	
Temperature Coefficient	ppm/°C	$\pm 250\text{ppm}/^\circ\text{C} < 0,1\Omega$; $\pm 100\text{ppm}/^\circ\text{C} \geq 0,1\Omega$	
Operating Voltage (U_{\max})	V	700V or $\sqrt{(P \times R)}$	
Insulation Resistance (R_{ins})	Ω	>1G	
		OTR4710	OTR4714
Current (I_{\max})	I	100A	120A
Capacitance	F	2,3 pF	3,7pF
Inductance	H	11,7 nH	12,2nH
Operating Temperature Range (T)	°C	-55°C - 175°C	

Type	U_{\max} (V)	Power P25 (W)	Power P70 (W)	Heat Resistance (°C/W)	Tolerance- /Resistance Range (Ω / 1%; 5%)
OTR4710	500	100*	60*	1,3	0R02 - 510K0 ¹
OTR4714	500	140*	84*	0,9	0R02 - 510K0 ¹

* Power without additional cooling OTR4710: 3 Watts, OTR4714: 5 Watts
¹Additional values in request

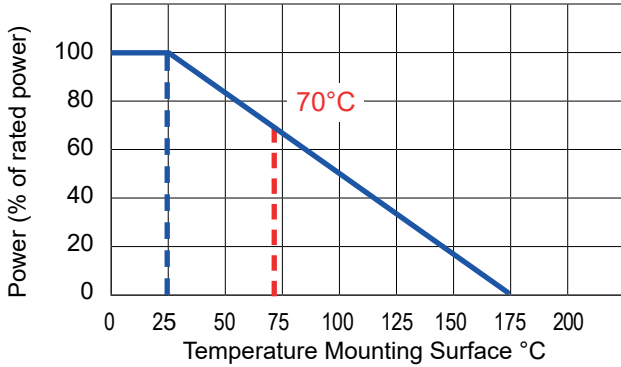
PERFORMANCE

IEC 60115-1	Test	Conditions of Test	Specification ΔR
4.23	Moisture Resistance	+40°C, 90-95% R.H., Rated Voltage at Power 0,1W, 1000h	$\pm(1,0\% R + 0,05\Omega)$
4.19	Thermal Shock	-55°C 30 Minutes, +155° 30 Minutes, 1000h	$\pm(0,25\% R + 0,05\Omega)$
4.6	Dielectric Strength	U_{ins} 2500VAC, 60 Seconds, 1mA	
4.25	Endurance	+25°C, U_{\max} 1,5h „ON“ and 0,5h „OFF“, 1000h	$\pm(1,0\% R + 0,05\Omega)$
4.18	Soldering Resistance	350°C, max. 3s	$\pm(0,1\% R + 0,05\Omega)$

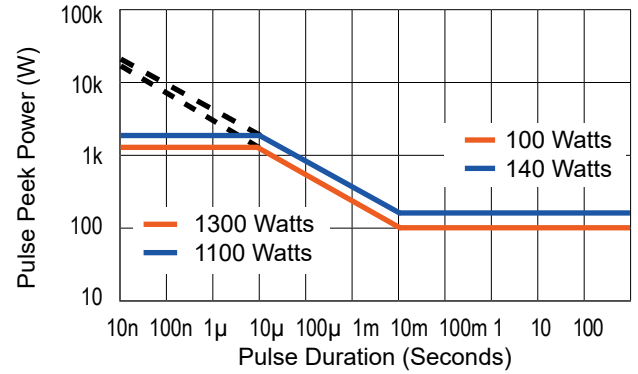
OTR - Series, OTR4700

Power - Thick Film Resistors

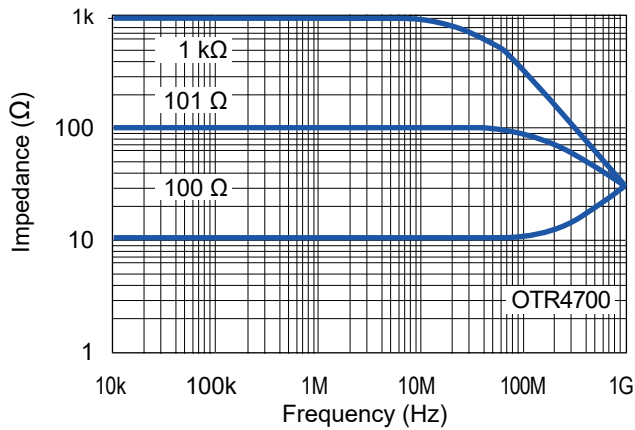
POWER DERATING CURVE



PULSE ENERGY DURABILITY



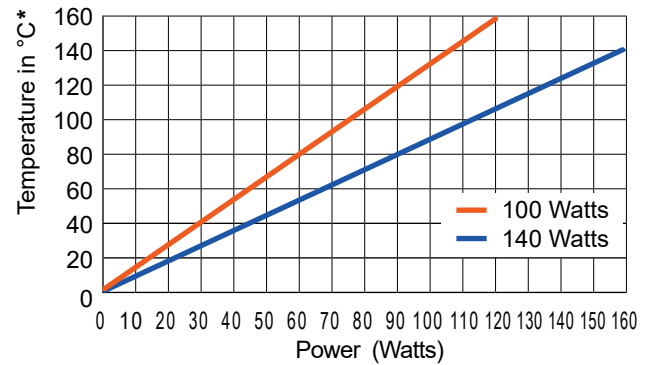
FREQUENCY CHARACTERISTICS



- OTR4710 10R000 ±1% ±100ppm/°C
- OTR4714 10R000 ±1% ±100ppm/°C
- - - expected value

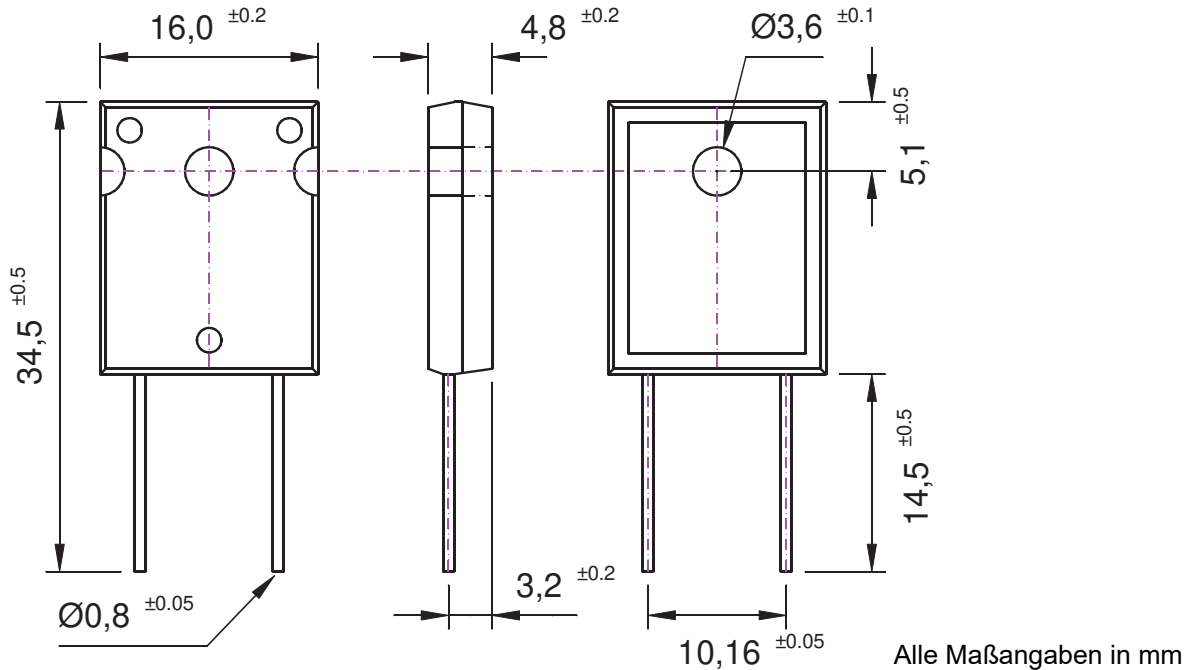
The pulse test was performed with a pulse repeat rate of 100Hz. The specifications are typical test values, they do not describe any specification.

TEMPERATURE RISE



* The max. permissible surface temperature must not exceed 120 °C.

DIMENSIONS



- Mounting instructions: Resistor and cooling surface (body) must be free of grease and contamination. Cooling surface or heat sink should not have unevennesses (max 0.05mm / 50mm²). For better heat dissipation it is recommended to use suitable thermal compounds. The tightening torque for fixing the resistor to the heat sink must be selected according to the thermal paste used. About 0.6Nm are recommended.

CONSTRUCTION

Resistance Material	Ruthenium-based Thick Film Layer
Housing	Insulation-proof Plastic
Terminals	Tin Plated Copper
Thermal Flange Plate	Nickel Plated Copper, electrical isolated

CALCULATION / DIMENSIONING OF A SUITABLE COOLING

The power resistors of the OTR series must be combined with a sufficiently dimensioned cooling system. Suitable are heat sinks, housing surfaces, active cooling by means of fans or water cooling. It is recommended that these power resistors are not constantly operated at maximum continuous load. Operating at approx. 80 - 85% of the rated power ensures the stability of the resistance tolerance, the nominal resistance values and the load live especially under load changing conditions.

The maximum surface temperature of the OTR resistors must not exceed 125 ° C. When calculating the cooling, the ambient temperature must be taken into account. This factor is directly included in the calculation, so it is advisable not to disregard the use in the field. Typical example: Use in the control cabinet, if it is not temperature-controlled, heat build-up in the convective air flow is possible, this can negatively influence the assumed values of the original calculation.

Calculation of the heat resistance of the heat sink:

- P_{θ} - Power of the Resistor in Watts
- R_{θ} - Thermal Resistance K/W
- $R_{\theta JC}$ - Thermal Resistance of the Resistor in K/W
- $R_{\theta S}$ - Thermal Resistance of the Heat Sink in K/W

Example:

$$P_{\theta} = 15W; R_{\theta JC} = 5,9 K/W; T_J = 120 \text{ }^{\circ}\text{C}; T_A = 25 \text{ }^{\circ}\text{C}$$

Calculation:

$$\Delta T = T_J - T_A = 120^{\circ}\text{C} - 25^{\circ}\text{C} = 95\text{K}$$

$$R_{\theta} = \frac{\Delta T}{P_{\theta}} = \frac{95\text{K}}{15\text{W}} = 6,33\text{K/W}$$

$$R_{\theta S} = R_{\theta} - R_{\theta JC} = 6,33\text{K/W} - 5,9\text{K/W} = 0,433\text{K/W}$$

Result: $R_{\theta S} \leq 0,433\text{K/W}$ max. Thermal Resistance of the Heat Sink

Remark: K/W = °C/W

ORDERING INFORMATION

OTR4710 100R00 1% TK100 (OTR4710; 100Ω; ±1%; ±100ppm/°C)

Type	Special	Resistance Value	Tolerance	Temperature Coefficient	Power	Options	Packaging
OTR4710	- XXX	0R1000 100R00 10K000	5% 1%	TK250 TK100	-	-	-

www.esr.info • Subject To Change Without Notice