

Thickfilm Resistor CS 106 / CS006L / CS 106C

► Resistance ranges, tolerances and TC's

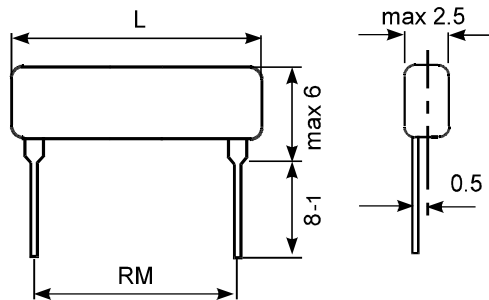
Tolerance	± 1%	± 2%	± 5%	± 10%
Resistance ranges	100K - 100M	>100M - 250M	>250M - 1G	>1G - 10G

All values within the resistance range are available.
Lower tolerance-values upon request.

► Ratings by IEC 60115-1

Thermal resistance R_{th}		max. 80 K/W
Limited element voltage		≅ 2000 V
Rated dissipation	P_{70} ($\vartheta_0 = 125^\circ\text{C}$)	0.7 W
	P_{40} ($\vartheta_0 = 125^\circ\text{C}$)	1.0 W
Climatic category		55 / 125 / 56
Insulation voltage		> 500 V
Insulation resistance		> $10^{10} \Omega$
Temp. characteristics		± $25 \times 10^{-6} / ^\circ\text{C}$
Voltage coefficient		< $5 \times 10^{-6} / \text{V}$
Weight (100 pcs.)		ca. 50 g
Marking		letter
Cleaning solvents	For the removal of flux can be used: ethanol, methanol, isopropanol, propanol, butanol and water; reaction time max. 5 minutes	

► Dimensions CS 106



	L	RM
CS 106	22,5	20,32
CS 106L	25	22,86

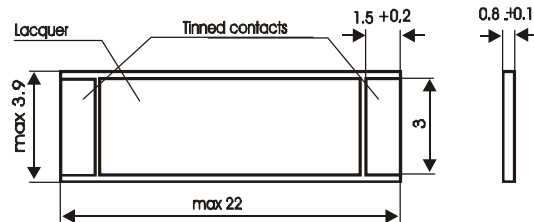
► Tests

	Test	Conditions	Requirements
4.13	Overload	5 s, 2,5 x U_{rat} or 2 x U_{max}	$\Delta R \leq \pm (0.10\%R)$
4.18	Soldering-Resistance to heat	$260 \pm 5^\circ\text{C}$, 10 s	$\Delta R \leq \pm (0.10\%R)$
4.19	Rapid change of temp.	-65°C , 155°C , 5x	$\Delta R \leq \pm (0.25\%R)$
4.24	Damp heat, steady	40°C , 93% r.H., 56 d	$\Delta R \leq \pm (0.25\%R)$
4.25	Endurance at 70°C	U_{rat} or U_{max} 1000 h	$\Delta R \leq \pm (0.25\%R)$
		U_{rat} or U_{max} 8000 h	$\Delta R \leq \pm (0.50\%R)$

Section numbers of test and performance requirements refer to IEC 60115-1.

► Dimensions CS 106C

Thickfilm Resistor CS 106 / CS006L / CS 106C



▶ Ratings by IEC 60115-1

Voltage against ambient	75 V
Mounting	Face down
Weight (100 pcs)	ca. 45 g

▶ Tests

	Test	Conditions	Requirements
4.13	Overload	5 s, 2,5 x U _{rat} or 2 x U _{max}	$\Delta R \leq \pm (0.10\%R)$
4.18	Soldering-Resistance to heat	260 ± 5 °C, 10 s	$\Delta R \leq \pm (0.10\%R)$
4.19	Rapid change of temp.	-65°C, 155°C, 5x	$\Delta R \leq \pm (0.25\%R)$
4.31	Substrate bending test	10x, 1mm	$\Delta R \leq \pm (0.10\%R)$
4.25	Endurance at 70 °C	U _{rat} or U _{max} 1000 h	$\Delta R \leq \pm (0.50\%R)$
		U _{rat} or U _{max} 8000 h	$\Delta R \leq \pm (1.00\%R)$

Section numbers of test and performance requirements refer to IEC 60115-1.

▶ Order examples

CS 106	250M	2%
—	—	—
type	rated resistance	tolerance
CS 106C	250M	2%
—	—	—
type	rated resistance	tolerance

Thickfilm Resistor CS 106 / CS006L / CS 106C

► Rating curves

